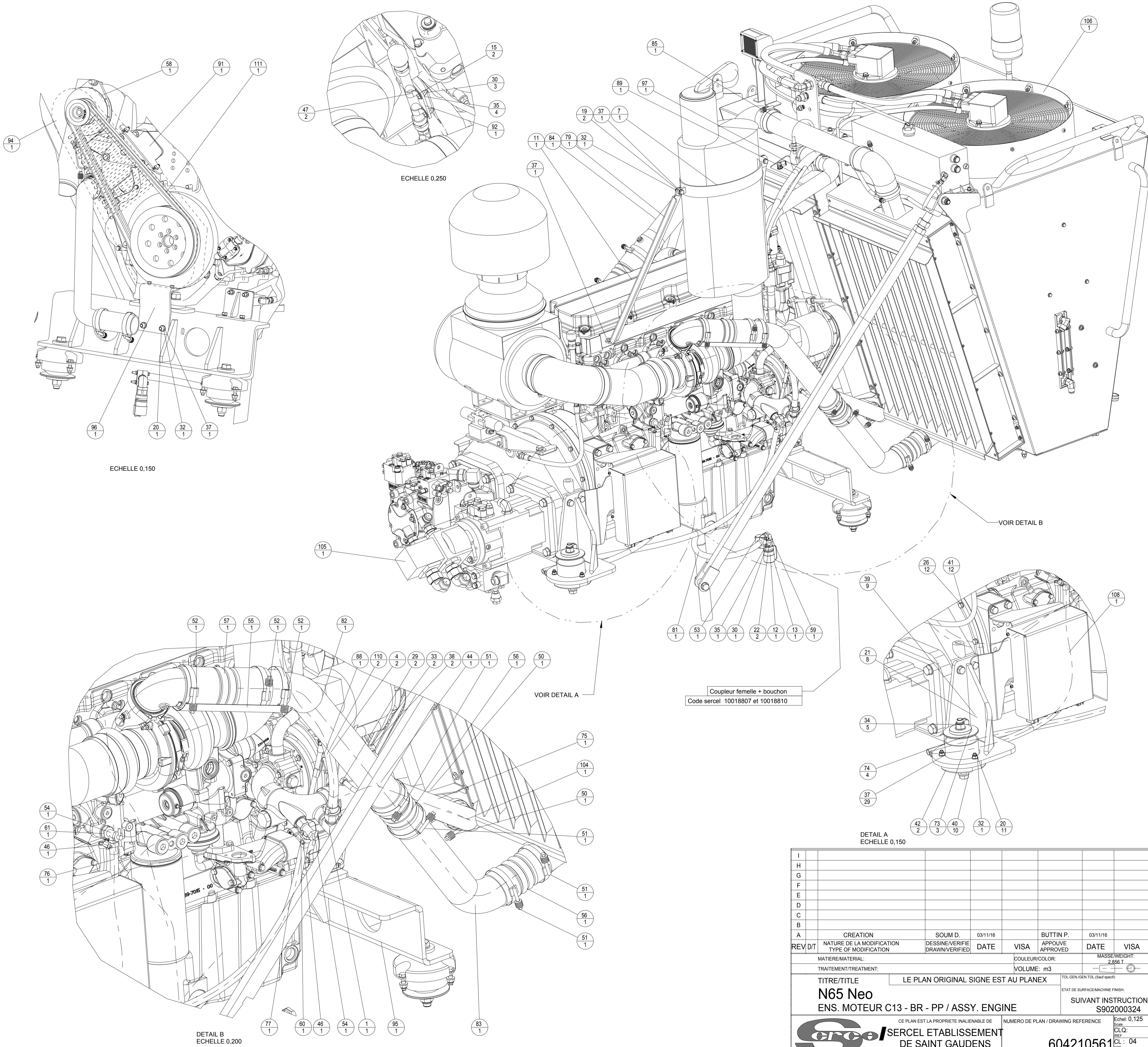


2. ENGINE CATERPILAR C13 / MOTEUR CATERPILAR C13

604 210 561A	ASSY C13 ENGINE N65NEO	<i>ENS MOTEUR C13 N65NEO</i>
604 260 393A	ASSY HYDAC COOLER C13 NEO	<i>ENS AEROTH HYDAC C13 NEO</i>
604 240 222B	ASSY PUMP DRIVE N65NEO	<i>ENS. BOITE DE REPARTITION</i>
604 410 373A	VIBRATION PUMP - REXROTH	<i>POMPE VIBRATION - REXROTH</i>
604 240 182D	VIBRATION PUMP - LINDE	<i>POMPE VIBRATION - LINDE</i>
604 410 323C	ASSY. DRIVE PUMP N65NEO	<i>ENS. POMPE D'AVANCEMENT</i>
604 410 303A	FEED & AUXILLARY PUMP - SAUER	<i>POMPES DE GAVAGE & AUXIL. SAUER</i>
604 410 263B	FEED & AUXILLARY PUMP - PARKER	<i>POMPES DE GAVAGE & AUXIL. PARKER</i>
604 291 033A	WINT FUEL PIPING	<i>CIRCUIT GO WINTERIZE</i>

REP ITEM	CODE SERCEL PART NUM.	DESIGNATION DESCRIPTION	REFERENCE / SPECIF. / LA PART NUMBER / SPECIF.	QTE QTY
1	2290147	FITTING, 2062-12-12S / ADAPTEUR	790000117	1
2	2290510	FITTING, 2062-10-12S / ADAPTEUR	790000146	1
3	2293141	FITTING, 202702-12-8 / ADAPTEUR	790000292	1
4	2303144	WASHER, FLAT 3/8 GR5 / RONDELLE	790000436	2
5	2303420	WASHER, LOCK 5/8 G5 / RONDELLE	790000446	2
6	2396642	FITTING, 202702-6-8S / ADAPTEUR	790002386	1
7	5265186	BRIDE SILENCIEUX / MUFFLER COLLAR	790001437	1
8	10006331	RONDELLE ANTI VIBR. M10 / VIBR.PROOF WASHER	SERCEL	8
9	10006344	RONDELLE ANTI VIBR. M16 / VIBR.PROOF WASHER	SERCEL	2
10	10012379	RELAJ DE DEMARRAGE / START RELAY	SERCEL	1
11	10015483	MOTEUR THERMIQUE / DIESEL ENGINE	SERCEL	1
12	10018807	COUPLEUR HYD FEM A CLAPET / COUPLER	SERCEL	1
13	10018810	BOUCHON MALE COUPLEUR / PLUG	SERCEL	1
14	10033553	COLLIER A TOURILLON GBS M34-37/18SK / HOSE CLAMP	SERCEL	2
15	211111246	VIS H M6-20 8.8 ZB / BOLT HEX ZINC-PLATED	SERCEL	2
16	211111247	VIS H M8-20 8.8 ZB / BOLT HEX ZINC-PLATED	SERCEL	1
17	211111286	VIS H M6-25 8.8 ZB / BOLT HEX ZINC-PLATED	SERCEL	2
18	211111331	VIS H M16-30 8.8 ZB / BOLT HEX ZINC-PLATED	SERCEL	2
19	211111348	VIS H M10-35 8.8 ZB / BOLT HEX ZINC-PLATED	SERCEL	6
20	211111368	VIS H M10-40 8.8 ZB / BOLT HEX ZINC-PLATED	SERCEL	14
21	211111371	VIS H M16-40 8.8 ZB / BOLT HEX ZINC-PLATED	SERCEL	8
22	211111426	VIS H M6-55 8.8 ZB / BOLT HEX ZINC-PLATED	SERCEL	2
23	211111493	VIS H M20-70 8.8 ZB / BOLT HEX ZINC-PLATED	SERCEL	2
24	211124733	VIS H M20-170/46 10.9 NOIRE / BOLT HEX ZINC-PLATED	SERCEL	2
25	211124803	VIS H M20-210/65 10.9 NOIRE / BOLT HEX ZINC-PLATED	SERCEL	2
26	21211268	VIS H, 7/16-14 X 1-1/4 GR5 Z.B. / VIS	SERCEL	12
27	21211291	BOLT, HH 5/8-11 X 1-1/2 NC G5 / VIS	SERCEL	4
28	21611100	ECROU H M10 CL8 ZINC BIC / NUT H	SERCEL	4
29	21611120	ECROU H M12 8.8 BRUT / NUT H	SERCEL	2
30	216411060	ECROU M6, B. PLAST CL8 Z.B / NUT LOCK	SERCEL	6
31	216411080	ECROU M8, B. PLAST CL8 Z.B / NUT LOCK	SERCEL	1
32	216411100	ECROU M10, B. PLAST CL8 Z.B / NUT LOCK	SERCEL	16
33	216411120	ECROU M12, B. PLAST CL8 Z.B / NUT LOCK	SERCEL	2
34	216411200	ECROU M20, B. PLAST CL8 Z.B / NUT LOCK	SERCEL	6
35	217141060	RONDELLE M6,U.Z.B / PLAIN HEAVY DUTY WASHER	SERCEL	7
36	217141080	RONDELLE M8,U.Z.B / PLAIN HEAVY DUTY WASHER	SERCEL	2
37	217141100	RONDELLE M10,U.Z.B / PLAIN HEAVY DUTY WASHER	SERCEL	34
38	217141120	RONDELLE M12,U.Z.B / PLAIN HEAVY DUTY WASHER	SERCEL	2
39	217141160	RONDELLE M16,U.Z.B / PLAIN HEAVY DUTY WASHER	SERCEL	10
40	217141200	RONDELLE M20,U.Z.B / PLAIN HEAVY DUTY WASHER	SERCEL	12
41	217941716	WASHER, LOCK 7/16 G5 / RONDELLE	SERCEL	12
42	223300045	SUPPORT ELASTIQUE SC 631932-45 / CENTER BONDED MOUNT	PAULSTRA	2
43	223300047	SUPPORT ELASTIQUE SC 631933-45 / CENTER BONDED MOUNT	PAULSTRA	2
44	227010002	ETRIER DE FIXATION / U BOLT	SERCEL	1
45	227110002	COLLIER DE SERRAGE DIA 32-52 / HOSE CLAMP	SERCEL	1
46	227110015	COLLIER DE SERRAGE DIA 20 a 32mm / HOSE CLAMP	SERCEL	2
47	227110072	COLLIER / CLAMP	SERCEL	3
48	227110084	COLLIER DE FIXATION / CLAMP	SERCEL	1
49	227110093	COLLIER DE FIXATION / CLAMP	SERCEL	3
50	227150008	COLLIER COUPLE CONSTANT / CLAMP	SERCEL	8
51	227150009	COLLIER COUPLE CONSTANT 83-105 / CLAMP	SERCEL	8
52	227150012	COLLIER COUPLE CONSTANT 95-117 / CLAMP	SERCEL	5
53	227180027	COLLIER STAUFF SP 325 PA DP-AS / HOSE CLAMP	SERCEL	1
54	24139010_K42	VANNE DE CHAUFFAGE / VALVE	SERCEL	2
55	249000111	BARRIERE THERMIQUE POUR TUBE / HEAT SHIELD	SERCEL	1
56	249510009	MANCHON SILICONE 3"1/2 / SILICON HOSE	SERCEL	2
57	249510010	MANCHON SILICONE 4" LONG=252mm / SILICON HOSE	SERCEL	2
58	249700029	ALTERNATEUR LN 140A 24V / 140A ALTERNATOR	SERCEL	1
59	271193651	ADAPTEUR, 10-12C40MXS / 90° FITTING	SERCEL	1
60	271320531	ADAPTEUR 10-3/8F50G / FITTING	SERCEL	1
61	271320631	ADAPTEUR 12-3/8F50G / FITTING	SERCEL	1
62	271391331	FITTING, F50XS10-9/16 / ADAPTEUR	790000290	1
63	271393451	FITTING, 2062-8-10S / ADAPTEUR	SERCEL	1
64	271400302	BOUCHON FEM. 9/16JIC / CAP	SERCEL	1
65	271400401	ECROU ADAPTEUR BTXS12 / 37° FLARED NUT	SERCEL	1
66	271491431	ADAPTEUR, TRTXS12-10 / FITTING	SERCEL	1
67	271700301	BOUCHON M14x1.5 / PLUG	SERCEL	1
68	271793331	ADAPTEUR, 6M14C80MXS / FITTING	SERCEL	1
69	271991442	PASSE CLOISON WTX-WLNS8 /	SERCEL	2
70	292900001	COUDE SILICONE D=90mm / SILICON ELBOW	SERCEL	2
71	292800002	COUDE SILICONE D=28mm / SILICON ELBOW	SERCEL	1
72	297380001_02	RALLONGE RENIFLARD / ENGINE BREATHER EXTENSION	297380001	1
73	40018064	ENTRETOISE DE SUPPORT ELASTIQUE / SPACER	SERCEL	4
74	400152864	RONDELLE SUPPORT ELASTIQUE / WASHER	SERCEL	4
75	400154504	MANCHON SILICONE D=60mm / SILICON HOSE	SERCEL	4
76	400157794_09	TUYAU CIRCUIT CHAUFFAGE / SILICON HOSE	400157794	1
77	400157794_10	TUYAU CIRCUIT CHAUFFAGE / SILICON HOSE	400157794	1
78	400184464	SUPPORT BLOC CDE VIB. / MANIFOLD SUPPORT	SERCEL	1
79	400192603	TIRANT ECHAPPEMENT C13 / PRT_NAME?	SERCEL	1
80	400192613	TIRANT ECHAPPEMENT C13 AR. / MUFFLER LEG	SERCEL	1
81	400192646_01	FLEXIBLE SERTI / ASSY HOSE	400192646	1
82	400193343	TUBE SORTIE AIR TURBO / AIR INTAKE TUBE	SERCEL	1
83	400193353	TUBE SORTIE AIR TURBO / AIR INTAKE TUBE	SERCEL	1
84	400193363	TUBE SORTIE AIR AERO. / AIR OUTLET TUBE	SERCEL	1
85	400193373	TUBE SORTIE AIR AERO. / AIR OUTLET TUBE	SERCEL	1
86	400193383	TUYAU CIRC. REFR. HAUT / COOLANT TUBE	SERCEL	1
87	400193424	MANCHON D=30 POUR TUYAU SILICONE / NIPPLE	SERCEL	1
88	400193434	SUPPORT COLLIER TUYAU AIR INF. / TUBE SUPPORT	SERCEL	1
89	400193454_05	TUYAU VASE MOTEUR / SILICON HOSE	400193454	1
90	400193464_03	FLEXIBLE DE PURGE / SILICON HOSE	400193464	1
91	400199334	PATTE CARTER COURROIES SUP. / BELT GUARD SUPPORT	SERCEL	1
92	400214564	SUPPORT RENIFLARD BOITE / BREATHER SUPPORT	SERCEL	1
93	400215246_05	FLEXIBLE ALIM GO C13 / ASSY HOSE	400215246	1
94	400216082	CARTER COURROIES / BELTS GUARD	SERCEL	1
95	400216113	USIN. SUPPORT MOTEUR AV. / ENGINE SUPPORT MACHINING	SERCEL	1
96	400216134	SUPP. CARTER COURROIES / BELT GUARD SUPPORT	SERCEL	1
97	400220914_05	FLEXIBLE DE DEGAZAGE / SILICON HOSE	400220914	1
98	400263073	USINAGE SUPPORT MOTEUR / ENGINE BRACKET MACHINING	SERCEL	1
99	400263093	USINAGE SUPPORT MOTEUR / ENGINE BRACKET MACHINING	SERCEL	1
100	400263514	SUPPORT PASSE CLOISON FUEL / BULKHEAD FITTING SUPPORT	SERCEL	1
101	400263954	SUPPORT FILTRE TERTIAIRE C13 / FILTER SUPPORT	SERCEL	1
102	400263974	SUPPORT RELAI DEMARRAGE / RELAY SUPPORT	SERCEL	1
103	400263986_03	FLEXIBLE RETOUR GO C13 / ASSY HOSE	400263986	1
104	400264933	TUBE CIRC. REFR. BAS / COOLANT TUBE	SERCEL	1
105	604240302	ENS. POMPES BOITE REP. / ASSY PPI/BR	SERCEL	1
106	604260393	ENS. AEROREFRIGERANT C13/C15 / ASSY. C13/C15 COOLERS	SERCEL	1
107	604290464	ENS. TIRANT / TIE ROD	SERCEL	2
108	604830273	INST CALCULATEUR MOTEUR / INST. ENGINE CONTROLER	SERCEL	1
109	606490314	Bloc cde ppe vib / Vib pump manifold	SERCEL	1
110	1913319C	BOLT, 3/8-16 NC X 1 GR5 / VIS	790000065	2
111	241390010K37	JEU DE COURROIES TRAPEZ. / ALTERNATOR BELT SET	CAT	1



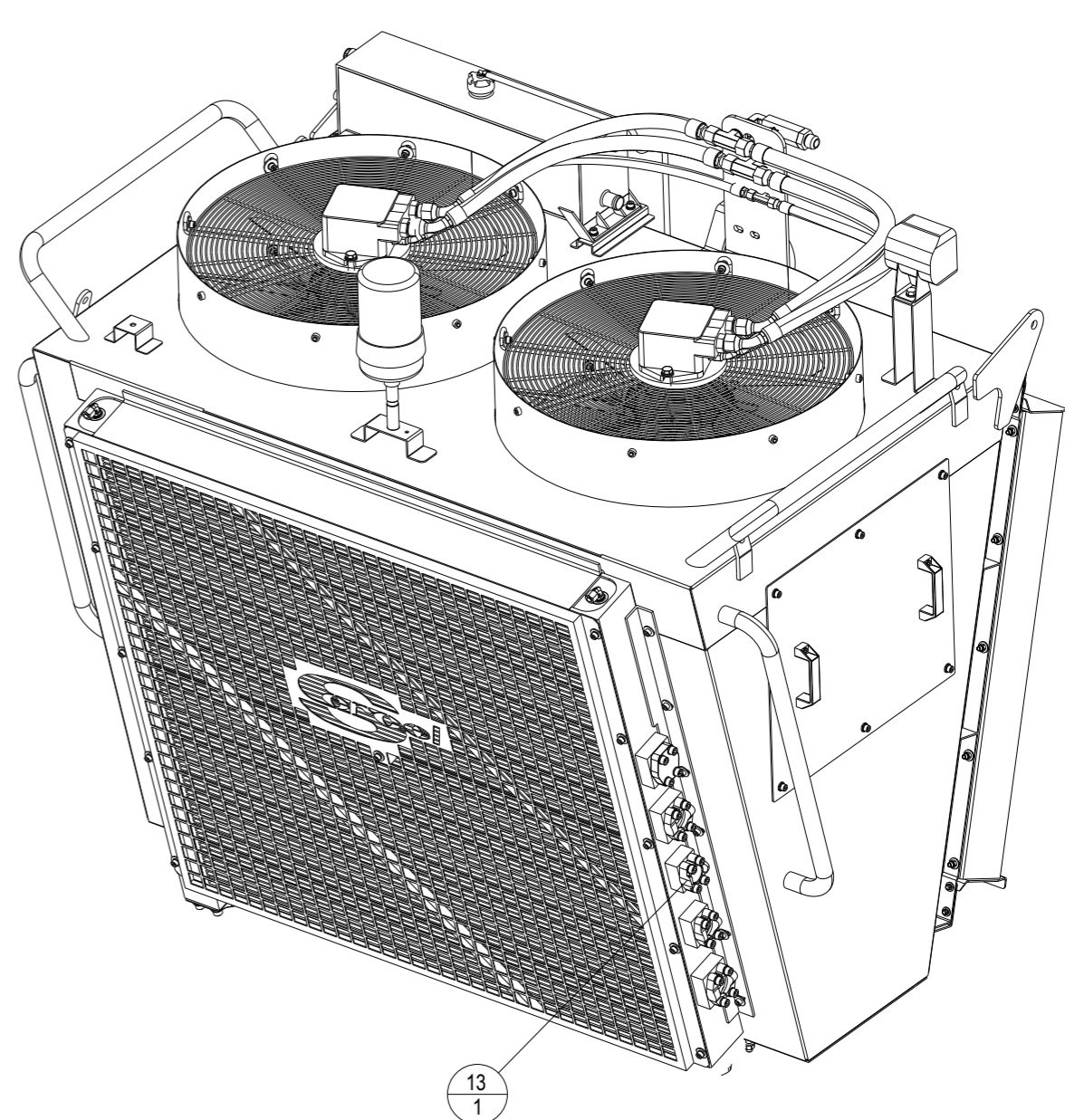
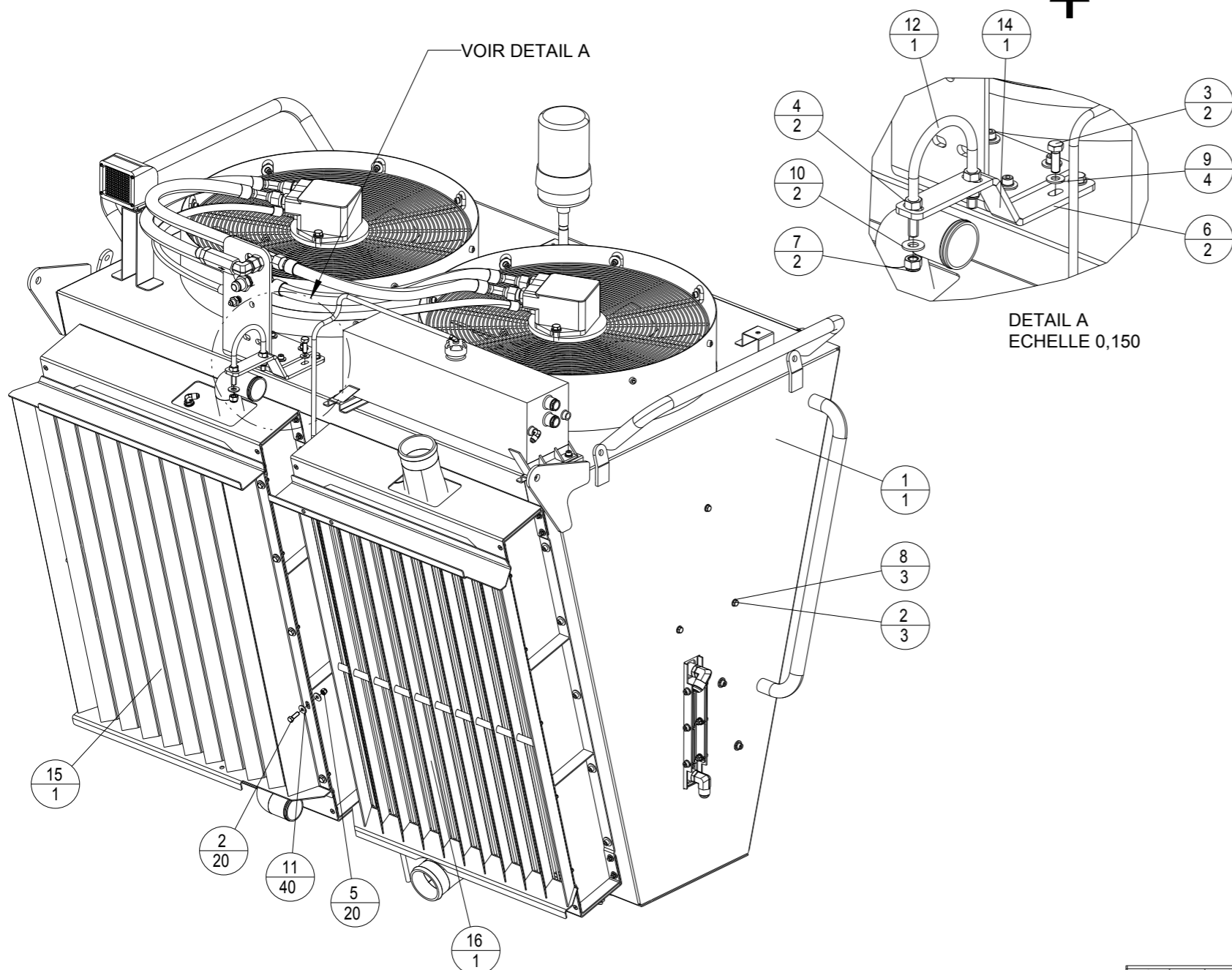
I							
H							
G							
F							
E							
D							
C							
B							
A							
REV	DT	CREATION	SOU M D.	03/11/16	BUTIN P.	03/11/16	
		NATURE DE LA MODIFICATION	DESSINE/VERIFIE	DATE	VISA	APPROUVE	DATE
		TYPE OF MODIFICATION	DRAWN/VERIFIED			APPROVED	
		MATIERE/MATERIAL:			COULEUR/COLOR:		MASSE/WEIGHT:
		TRAITEMENT/TREATMENT:			VOLUME: m3		2,856 T
TITRE/TITLE		LE PLAN ORIGINAL SIGNE EST AU PLANEX			TOL GEN/INTOL (Sauf spec):		
N65 Neo					ETAT DE SURFACE/MACHINE FINISH:		
ENS. MOTEUR C13 - BR - PP / ASSY. ENGINE					SUIVANT INSTRUCTION:		
					S90200324		
CE PLAN EST LA PROPRIETE INALIENABLE DE		NUMERO DE PLAN / DRAWING REFERENCE		Echelle: 0,125			
SERCEL ETABLISSEMENT		604210561		CL: 04			
DE SAINT GAUDENS				Folio: 1/2			
BP 09 - 31800 SAINT GAUDENS (FRANCE)							
Tel: (33) 05 61 88 90 00 Fax: (33) 05 61 88 90 33							
CODE OTAN - F2577							
S 904 00 0233/00 Ce document est la propriété de SERCEL St-GAUDENS. Toute reproduction et diffusion sont interdites sans son autorisation							

D

C

B

A



REP ITM	CODE SERCEL PART NUM.	DESIGNATION DESCRIPTION	REFERENCE / SPECIF / LA PART NUMBER / SPECIF.	QTE QTY
1	10019398	ENSEMBLE AEROREFRIGERANT / ASSY COOLERS	SERCEL	1
2	211111287	VIS H M8-25 8.8 ZB. / BOLT HEX ZINC-PLATED	SERCEL	23
3	211111328	VIS H M10- 30 8.8 ZB. / BOLT HEX ZINC-PLATED	SERCEL	2
4	216111120	ECROU H M12 8.8 BRUT / NUT H	SERCEL	2
5	216411080	ECROU M8, B. PLAST CL8 Z.B / NUT LOCK	SERCEL	20
6	216411100	ECROU M10, B. PLAST CL8 Z.B / NUT LOCK	SERCEL	2
7	216411120	ECROU M12, B. PLAST CL8 Z.B / NUT LOCK	SERCEL	2
8	217141080	RONDELLE M8,U,Z.B / PLAIN HEAVY DUTY WASHER	SERCEL	3
9	217141100	RONDELLE M10,U,Z.B / PLAIN HEAVY DUTY WASHER	SERCEL	4
10	217141120	RONDELLE M12,U,Z.B / PLAIN HEAVY DUTY WASHER	SERCEL	2
11	217241080	RONDELLE L8,U,Z.B / PLAIN HEAVY DUTY WASHER	SERCEL	40
12	227010002	ETRIER DE FIXATION / U BOLT	SERCEL	1
13	277760001	OBTURATEUR BRIDE SAE 1" CODE 61 / OBTURATOR	SERCEL	1
14	400193444	SUPPORT COLLIER TUYAU AIR SUP. / TUBE SUPPORT	SERCEL	1
15	400228192	SOUD.VENTELLE(D)WATERCOOLER / WLD WATERCOOLER (R) BLADE	SERCEL	1
16	400228202	SOUD.VENTELLE(G)INTERCOOLER / WLD INTERCOOLER (L) BLADE	SERCEL	1

F							
E							
D							
C							
B							
A	CREATION	SOU M D.	03/11/16	<i>Signé</i> M. Dumas	BUTTIN P.	03/11/16	<i>Signé</i> P. Buttin
REV	D/T	NATURE DE LA MODIFICATION TYPE OF MODIFICATION	DESSINE/VERIFIE DRAWN/VERIFIED	DATE	VISA	APPOUVE APPROVED	DATE
MATIERE/MATERIAL:				COULEUR/COLOR:		MASSE/WEIGHT:	
TRAITEMENT/TREATMENT:				VOLUME: m3		1,154 T	
TITRE/TITLE		LE PLAN ORIGINAL SIGNE EST AU PLANEX				TOL.GEN/GEN.TOL. (Sauf specif):	
N65 Neo						ETAT DE SURFACE/MACHINE FINISH:	
ENS. AEROREFRIGERANT C13/C15 / ASSY. C13/C15 COOLERS						SUIVANT INSTRUCTION: S902000324	
		CE PLAN EST LA PROPRIETE INALIENABLE DE		NUMERO DE PLAN / DRAWING REFERENCE		Echel: 0,075 Scale	
SERCEL ETABLISSEMENT DE SAINT GAUDENS				604260393		CLQ: /REF	
BP 69 - 31802 SAINT-GAUDENS CEDEX (FRANCE) Tel:(33)0561899000 Fax:(33)05 61899033						CL : ART	
CODE OTAN : F2577						Folio: 1/1	
S 904 00 0233/00 Ce document est la propriété de SERCEL St-GAUDENS, toute reproduction et diffusion sont interdites sans son autorisation							

D

C

B

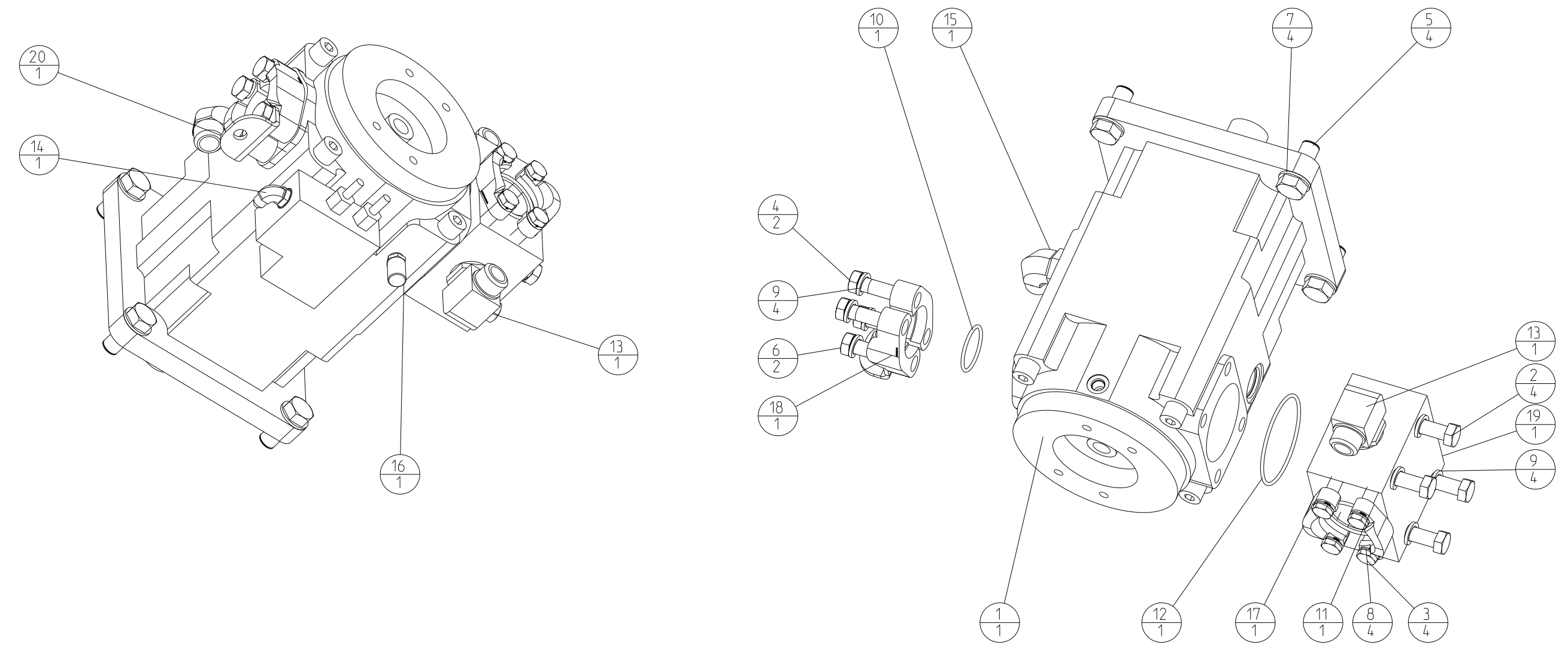
A

D

C

B

A



REP ITM	CODE SERCEL PART NUM.	DESIGNATION DESCRIPTION	REFERENCE / SPECIF./ LA PART NUMBER / SPECIF.	QTE QTY
1	10031022	POMPE VIB A11 190 MODIFIEE / VIB PUMP	REXROTH	1
2	211111611	VIS H M16-110/38 8.8 ZB. / BOLT HEX ZINC-PLATED	SERCEL	4
3	211121370	VIS H M14-40 10.9 Z.DEG DIN 933 / BOLT HEX ZINC-PLATED	SERCEL	4
4	211121411	VIS H M16-50 10.9 Z.DEG / BOLT HEX ZINC-PLATED	SERCEL	2
5	211121413	VIS H M20-50 10.9, Z.DEG / BOLT HEX ZINC-PLATED	SERCEL	4
6	211121431	VIS H M16-55 10.9 Z.DEG / BOLT HEX ZINC-PLATED	SERCEL	2
7	217141200	RONDELLE M20,U,Z.B / PLAIN HEAVY DUTY WASHER	SERCEL	4
8	217941140	RONDELLE, W14 Z.B / WASHER LOCK	SERCEL	4
9	217941160	RONDELLE, W16 Z.B / WASHER LOCK	SERCEL	8
10	237404704	JT 47.22*3.53 NBR 90 SH / O-RING	NBR 90 SH	1
11	237405601	JT 56.75 x 3.53 / O-RING	NBR 90 SH	1
12	237409801	JT 98.02*3.57 ARP:241 / O-RING	NBR 90 SH	1
13	271193771	ADAPTEUR, C40XS25-1 / FITTING	SERCEL	2
14	271793331	ADAPTEUR, 6M14C80MXS / FITTING	SERCEL	1
15	271793971	ADAPTEUR, C870XS25M33 / FITTING	SERCEL	1
16	276770001	PRISE DE PRESSION M16X2 / TEST PRESS. ADAPTER	SERCEL	1
17	277390001	DEMI BRIDE SAE 2" CODE 61 / SAE FLANGE	SERCEL	1
18	277480001	DEMI BRIDE SAE 1"-1/2 CODE 62 / SAE FLANGE	SERCEL	1
19	400176673	BLOC FORE POMPE VIB / VIP PUMP MANIFOLD	SERCEL	1
20	400187154	ATTACHE CHAUSSETE MOD.24 / HOOK PLATE	SERCEL	1

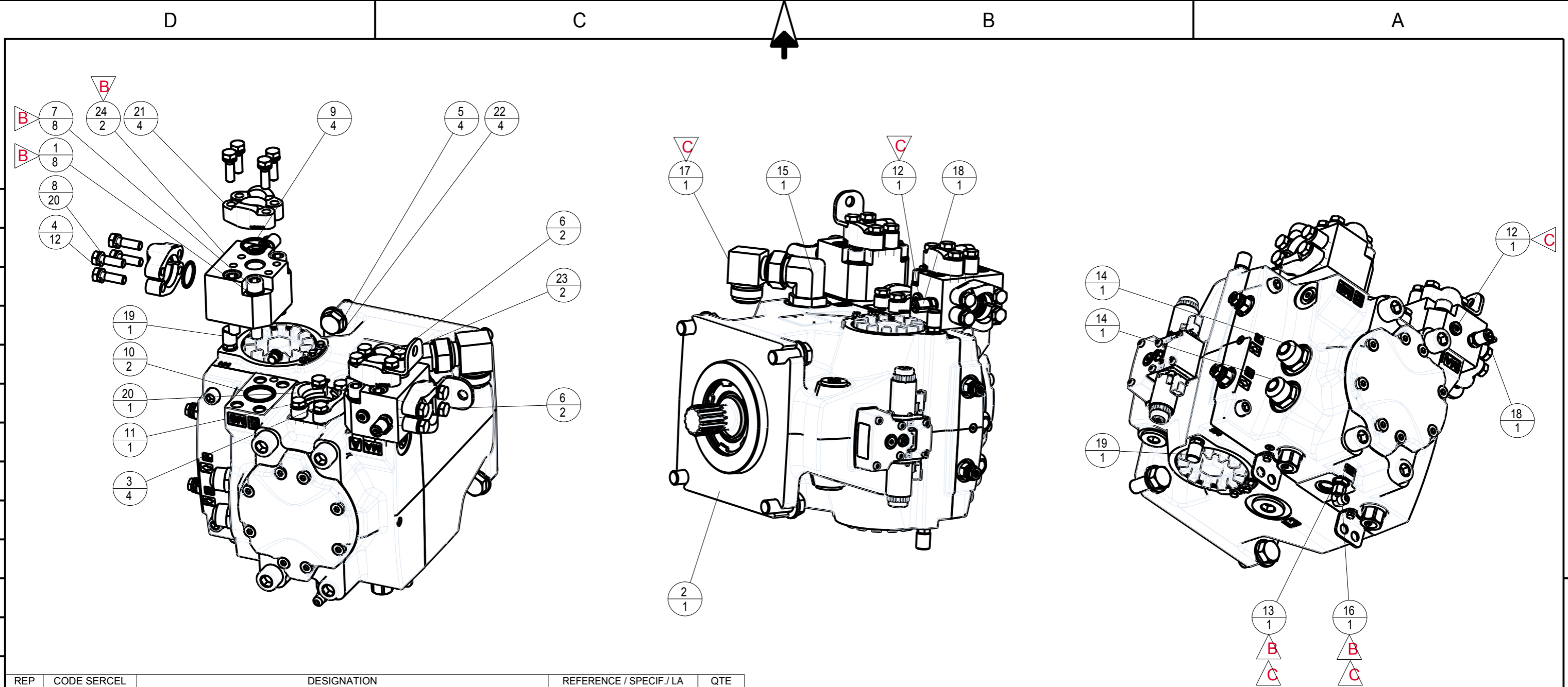
F							
E							
D							
C							
B							
A	CREATION	PB	JanMaz-16	BUTIN P.	JanMaz-16		
REV D/T	NATURE DE LA MODIFICATION TYPE OF MODIFICATION	DESSINE/VERIFIE DRAWN/VERIFIED	DATE	VISA	APPROVE APPROVED	DATE	VISA
MATIERE/MATERIAL:				COULEUR/COLOR:		MASSE/WEIGHT: 0.112 T	
TRAITEMENT/TREATMENT:				VOLUME: m3			
TITRE/TITLE			LE PLAN ORIGINAL SIGNE EST AU PLAN EX			TOL.GEN./GEN.TOL.(Sauf specifi):	
N65 NEO			ENS. POMPE VIB REXROTH / REXROTH VIB PUMP			ETAT DE SURFACE/MACHINE FINISH: SUIVANT INSTRUCTION: S902000324	
			CE PLAN EST LA PROPRIETE INALIENABLE DE			NUMERO DE PLAN / DRAWING REFERENCE	
SERCEL ETABLISSEMENT DE SAINT GAUDENS			604410373			Echel: 0,200 Scale	
BP 69 - 31802 SAINT-GAUDENS CEDEX (FRANCE) Tel:(33)(0)561899000 Fax:(33)(0)5 61899033						CLQ: /REF CL : ART	
CODE OTAN : F2577						Folio: 1/1	
S 904 00 0233/00 Ce document est la propriété de SERCEL St-GAUDENS, toute reproduction et diffusion sont interdites sans son autorisation							

D

C

B

A



REP ITM	CODE SERCEL PART NUM.	DESIGNATION DESCRIPTION	REFERENCE / SPECIF. / LA PART NUMBER / SPECIF.	QTE QTY
1	10006344	RONDELLE ANTI VIBR. M16 / VIBR. PROOF WASHER	SERCEL	8
2	10015163	POMPE CYL. VAR. H1P210 / PUMP	SERCEL	1
3	211121349	VIS H M 12-35 10.9 NOIRE / BOLT HEX ZINC-PLATED	SERCEL	4
4	211121369	VIS H M12-40 10.9 Z.DEG / BOLT HEX ZINC-PLATED	SERCEL	12
5	211121413	VIS H M20-50 10.9, Z.DEG / BOLT HEX ZINC-PLATED	SERCEL	4
6	211124409	VIS H M12-50/30 10.9 NOIRE / BOLT HEX ZINC-PLATED	SERCEL	4
7	211334531	VIS CHC M16-80 12.9 NOIRE / BOLT HEX HEAD SOC	SERCEL	8
8	217941120	RONDELLE, W12 Z.B / WASHER LOCK	SERCEL	20
9	237403201	JOINT TOR. 32.92 X 3.53 NBR 90 SH / O RING	SERCEL	4
10	237403703	JOINT TOR. 37.69 X 3.53 NBR 90 SH / O RING	SERCEL	2
11	237404704	JT 47.22*3.53 NBR 90 SH / O-RING	NBR 90 SH	1
12	271100101	Bouchon 1/4" BSPP PARKER: VSTIR 1/4 ED / PLUG	SERCEL	2
13	271391331	FITTING, F50XS10-9/16 / ADAPTEUR	790000290	1
14	271391671	FITTING, F50XS25-1"1/16 / ADAPTEUR	SERCEL	2
15	271393881	ADAPTEUR, C50XS 32 - 1-5/8 / FITTING	SERCEL	1
16	271493331	ADAPTEUR, C6XS10 / FITTING	SERCEL	1
17	271493881	FITTING C6XS32 / RACCORD	SERCEL	1
18	276110004	PRISE DE PRESSION 1/4 BSPP / TEST PRESSURE ADAPTER	SERCEL	2
19	276301001	PRISE DE PRESSION 7/16 UNF / TEST PRESS. ADAPTER	SERCEL	2
20	277380001	DEMI BRIDE SAE 1"-1/2 CODE 61 / SAE FLANGE	SERCEL	1
21	277460001	DEMI BRIDE 1" 6000PSI / SAE FLANGE	SERCEL	4
22	400138914	RONDELLE POUR POMPE / PUMP WASHER	SERCEL	4
23	400187134	ATTACHE CHAUSSETTE MOD.16 / HOOK PLATE	SERCEL	2
24	400263022	BLOC FORE POMPE / MANIFOLD	SERCEL	2

F							
E							
D							
C	T	ECO 204472	SOU M D.	07/10/14	BUTTIN P.	07/10/14	
B	T	ECO 204048	SOU M D.	31/07/14	BUTTIN P.	31/07/14	
A		CREATION	SOU M D.	20/01/14	BUTTIN P.	20/01/14	
REV	D/T	NATURE DE LA MODIFICATION TYPE OF MODIFICATION	DESSINE/VERIFIE DRAWN/VERIFIED	DATE	VISA	APPROUVE APPROVED	DATE VISA
MATIERE/MATERIAL:				COULEUR/COLOR:		MASSE/WEIGHT: 0,035 T	
TRAITEMENT/TREATMENT:				VOLUME: m3			
TITRE/TITLE					LE PLAN ORIGINAL SIGNE EST AU PLANEX		
N65 Neo					TOL.GEN/GEN.TOL. (Sauf specif):		
ENS. POMPE AV. H1P210 / ASSY H1P210 DRIVE PUMP					ETAT DE SURFACE/MACHINE FINISH: SUIVANT INSTRUCTION: S902000324		
			CE PLAN EST LA PROPRIETE INALIENABLE DE		NUMERO DE PLAN / DRAWING REFERENCE		Echel: 0,175 Scale
			SERCEL ETABLISSEMENT DE SAINT GAUDENS		PE003 604410323		CLQ: [REF]
CODE OTAN : F2577			BP 69 - 31802 SAINT-GAUDENS CEDEX (FRANCE) Tel:(33)0561899000 Fax:(33)05 61899033				CL : 04 ART
S 904 00 0233/00 Ce document est la propriété de SERCEL St-GAUDENS, toute reproduction et diffusion sont interdites sans son autorisation							

D

C

B

DRW 604410323 Version AC

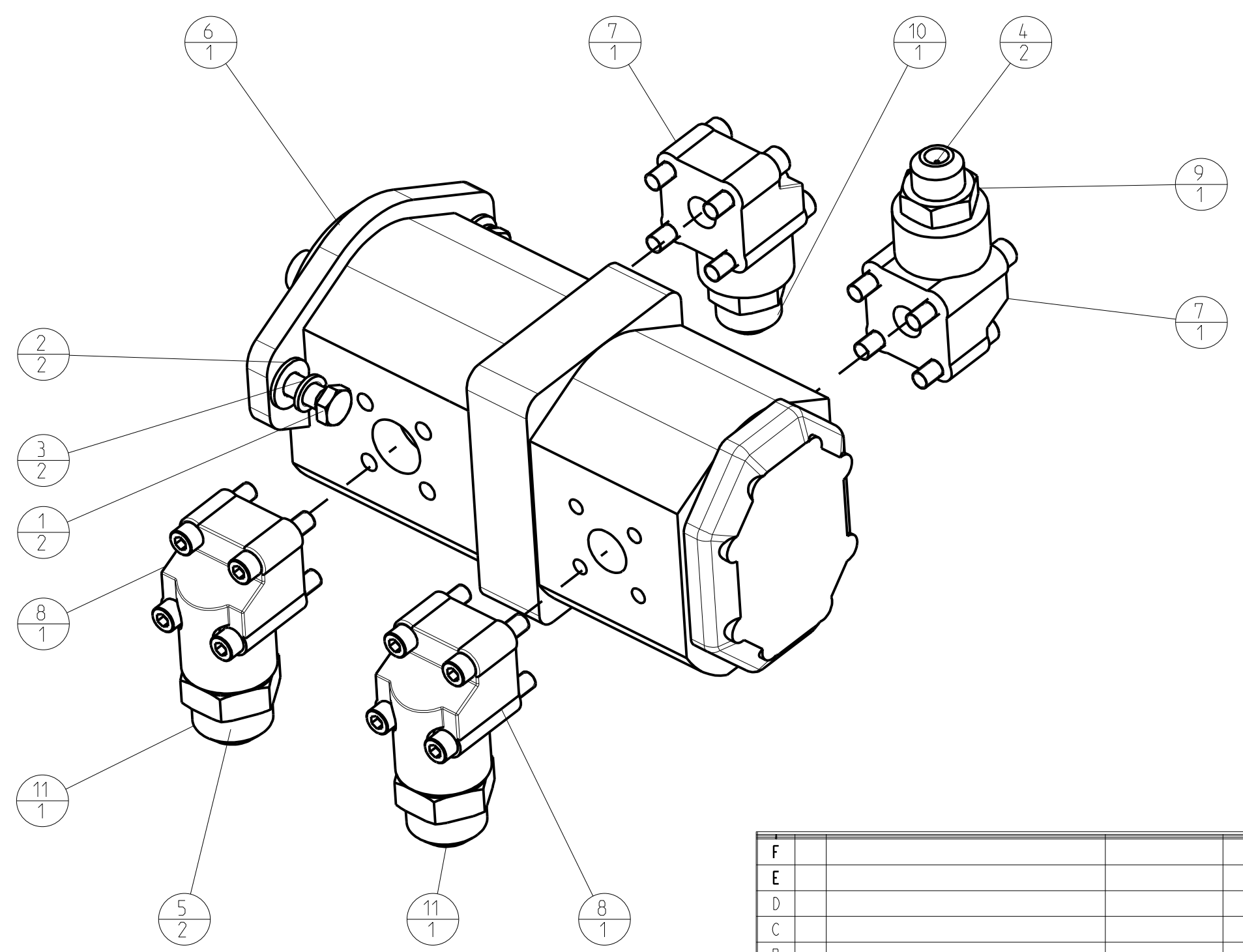
A

D

C

B

A



REP ITM	CODE SERCEL PART NUM.	DESIGNATION DESCRIPTION	REFERENCE / SPECIF. / LA PART NUMBER / SPECIF.	QTE QTY
1	211111329	VIS H M 12-30 8.8 ZB. / BOLT HEX	SERCEL	2
2	217141120	RONDELLE M12,U,Z.B / PLAIN HEAVY DUTY WASHER	SERCEL	2
3	217941120	RONDELLE, W12 Z.B / WASHER LOCK	SERCEL	2
4	237003301	BAGUE D'ETANCH. 1"5/16 JIC37° / SEAL RING	SERCEL	2
5	237004101	BAGUE D'ETANCH. 1"5/8 JIC37° / SEAL RING	SERCEL	2
6	261400017	POMPE 48 + 38 CC / DOUBLE GEAR PUMP	SAUER	1
7	261400028	BRIDE BCAQ 55 - 34 / PUMP FLANGE	SERCEL	2
8	261400029	BRIDE BCAQ 55-100 / PUMP FLANGE	SERCEL	2
9	271191661	ADAPTEUR, F40XS20-3/4 / FITTING	SERCEL	1
10	271191671	ADAPTEUR, F40XS 25-3/4 / FITTING	SERCEL	1
11	271191781	ADAPTEUR, 20-16F42EDMXSS / FITTING	SERCEL	2

F									
E									
D									
C									
B									
A	CREATION	SOUM D.	16-May-11	<i>Signé</i> D. Soum	BUTTIN P.	16-May-11	<i>Signé</i> P. Buttin		
REV D/T	NATURE DE LA MODIFICATION TYPE OF MODIFICATION	DESSINE/VERIFIE DRAWN/VERIFIED	DATE	VISA	APPOUVE APPROVED	DATE	VISA		
MATIERE/MATERIAL:				COULEUR/COLOR:		MASSE/WEIGHT: 0,018 T			
TRAITEMENT/TREATMENT:				VOLUME: 0,005 m3		TOL.GEN./GEN.TOL.(Sauf specif):			
TITRE/TITLE N65 ENS. POMPE AUXILLIAIRE / ASSY AUX. PUMP						ETAT DE SURFACE/MACHINE FINISH: SUIVANT INSTRUCTION: S902000324			
LE PLAN ORIGINAL SIGNE EST AU PLANEX						NUMERO DE PLAN / DRAWING REFERENCE			
SERCEL CE PLAN EST LA PROPRIETE INALIENABLE DE						SERCEL ETABLISSEMENT DE SAINT GAUDENS			
BP 69 - 31802 SAINT-GAUDENS CEDEX (FRANCE) Tel:(33)(0)561899000 Fax:(33)(0)5 61899033						PE002 604410303			
CODE OTAN : F2577						Echel: 0,400 Scale			
S 904 00 0233/00 Ce document est la propriété de SERCEL St-GAUDENS. toute reproduction et diffusion sont interdites sans son autorisation						Folio: 1/1			

D

C

B

A

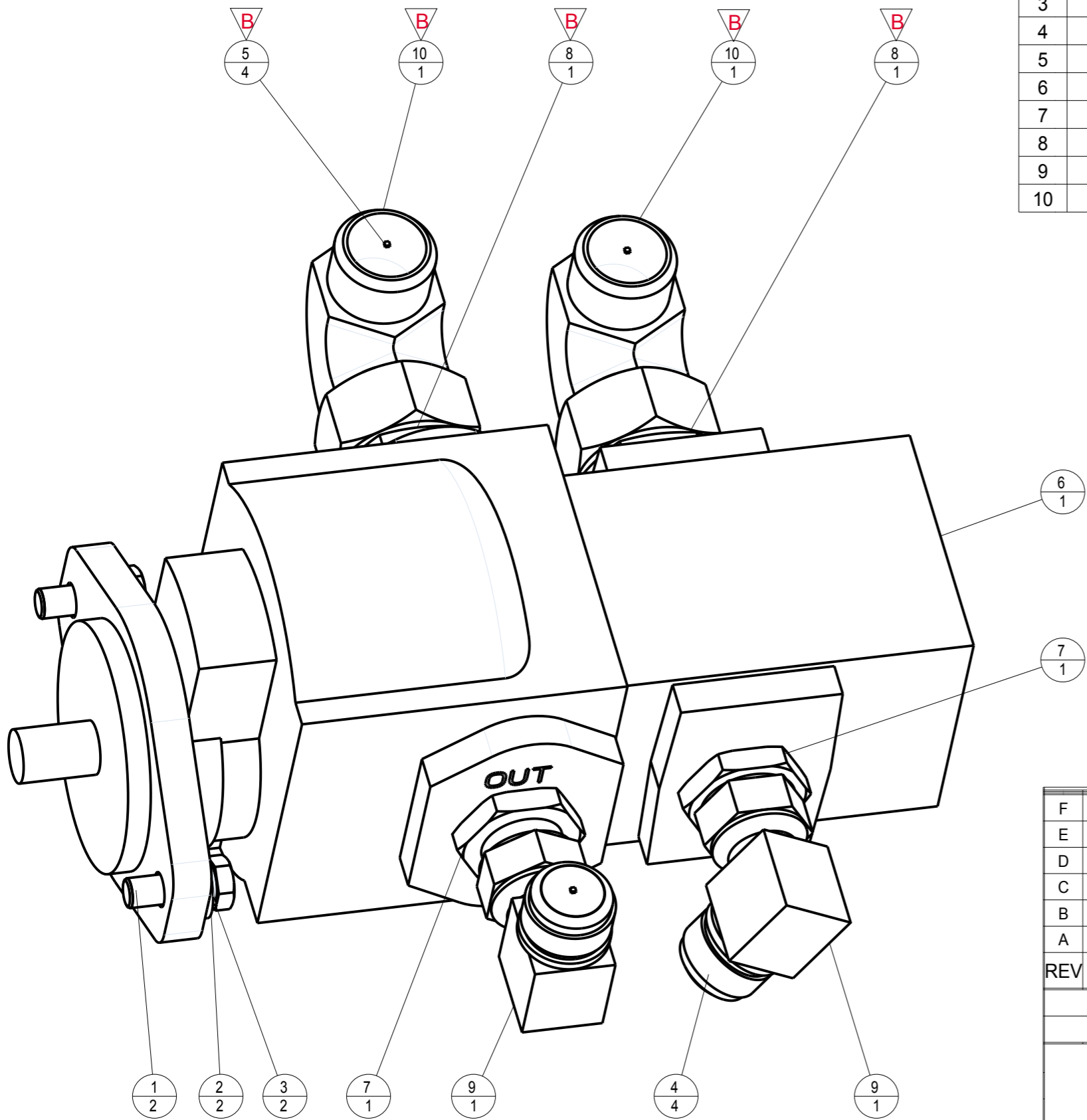
D

C

B

A

REP ITM	CODE SERCEL PART NUM.	DESIGNATION DESCRIPTION	REFERENCE / SPECIF. / LA PART NUMBER / SPECIF.	QTE QTY
1	211111349	VIS H M 12-35 8.8 ZB. / BOLT HEX ZINC-PLATED	SERCEL	2
2	217141120	RONDELLE M12,U,Z.B / PLAIN HEAVY DUTY WASHER	SERCEL	2
3	217941120	RONDELLE, W12 Z.B / WASHER LOCK	SERCEL	2
4	237003301	BAGUE D'ETANCH. 1"5/16 JIC37° / SEAL RING	SERCEL	4
5	237004701	BAGUE D'ETANCH. 1" 7/8 JIC37° / SEAL RING	SERCEL	4
6	261400036	POMPE A ENGRENAGE / PUMP	SERCEL	1
7	271191771	FITTING, F40XS 25-1 /	PARKER	2
8	271191991	ADAPTEUR, F40XS38-1 1/2 / FITTING	SERCEL	2
9	271493771	FITTING, C6XS16 / RACCORD	SERCEL	2
10	271493991	ADAPTEUR, C6XS38 / FITTING	SERCEL	2



2

F									
E									
D									
C									
B	T	ECO 206219	SOU M D.	07/10/15	BUTTIN P.	07/10/15			
A		CREATION	SOU M D.	28/02/11	BUTTIN P.	28/02/11			
REV	D/T	NATURE DE LA MODIFICATION TYPE OF MODIFICATION	DESSINE/VERIFIE DRAWN/VERIFIED	DATE	VISA	APPOUVE APPROVED	DATE	VISA	
MATIERE/MATERIAL:					COULEUR/COLOR:		MASSE/WEIGHT: 0,046 T		
TRAITEMENT/TREATMENT:					VOLUME: m3				
TITRE/TITLE						LE PLAN ORIGINAL SIGNE EST AU PLANEX			TOL.GEN/GEN.TOL. (Sauf specif):
N65/C15						ETAT DE SURFACE/MACHINE FINISH:			SUIVANT INSTRUCTION: S902000324
ENS. POMPE AUXILLIAIRE / ASSY AUX. PUMP						NUMERO DE PLAN / DRAWING REFERENCE			Echel: 0,500 Scale
			SERCEL ETABLISSEMENT DE SAINT GAUDENS			604410263			CLQ: /REF CL: ART
CODE OTAN : F2577			BP 69 - 31802 SAINT-GAUDENS CEDEX (FRANCE) Tel:(33)0561899000 Fax:(33)05 61899033						Folio: 1/1

1

D

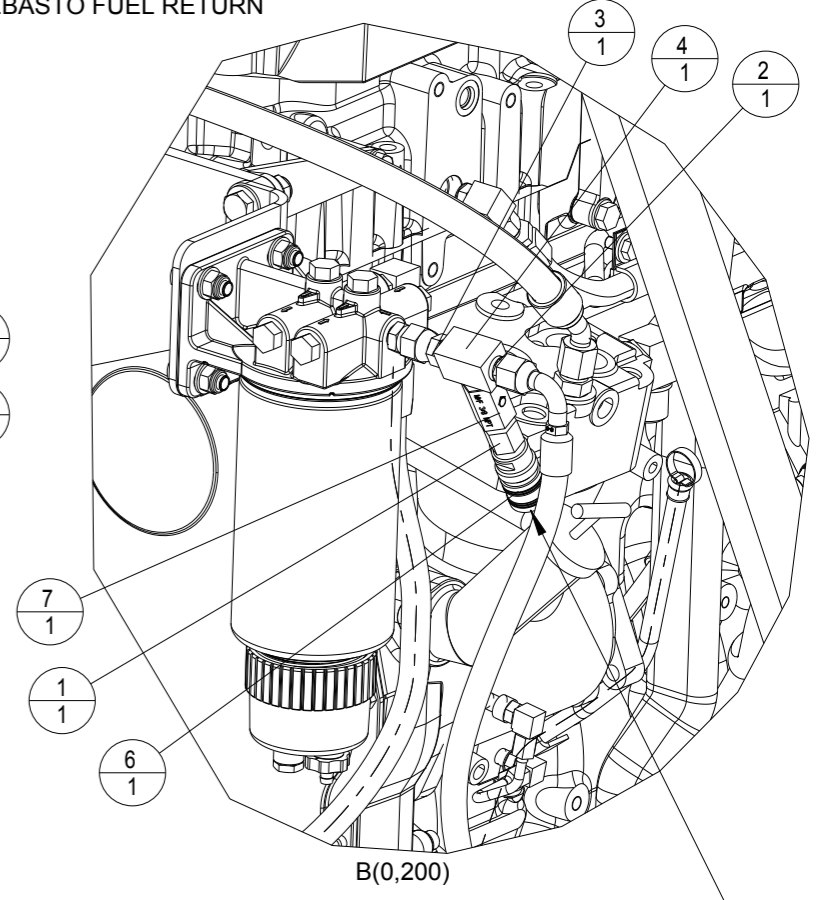
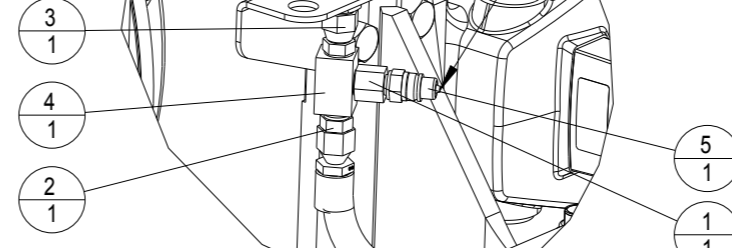
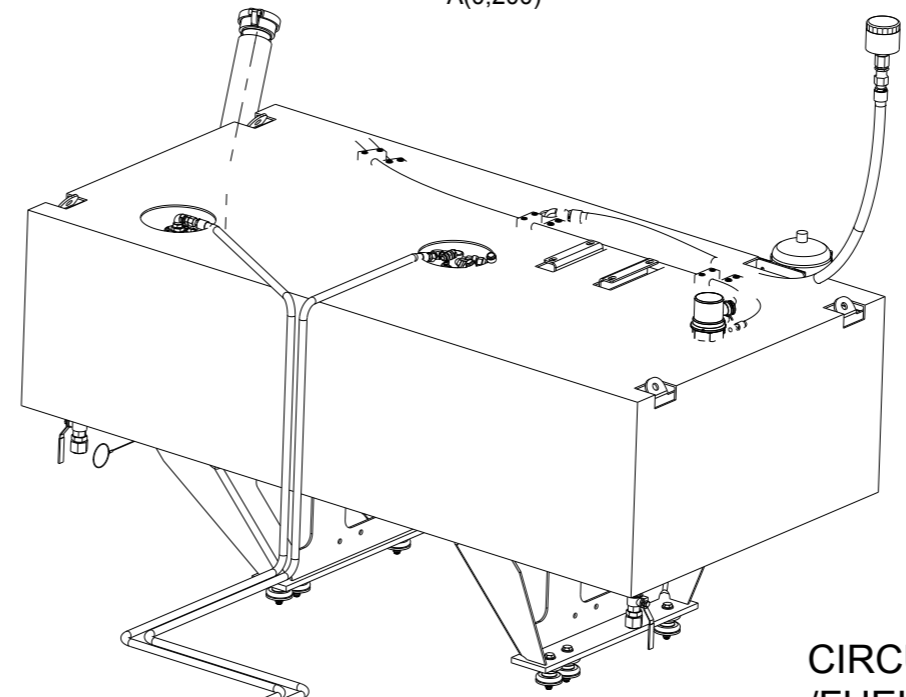
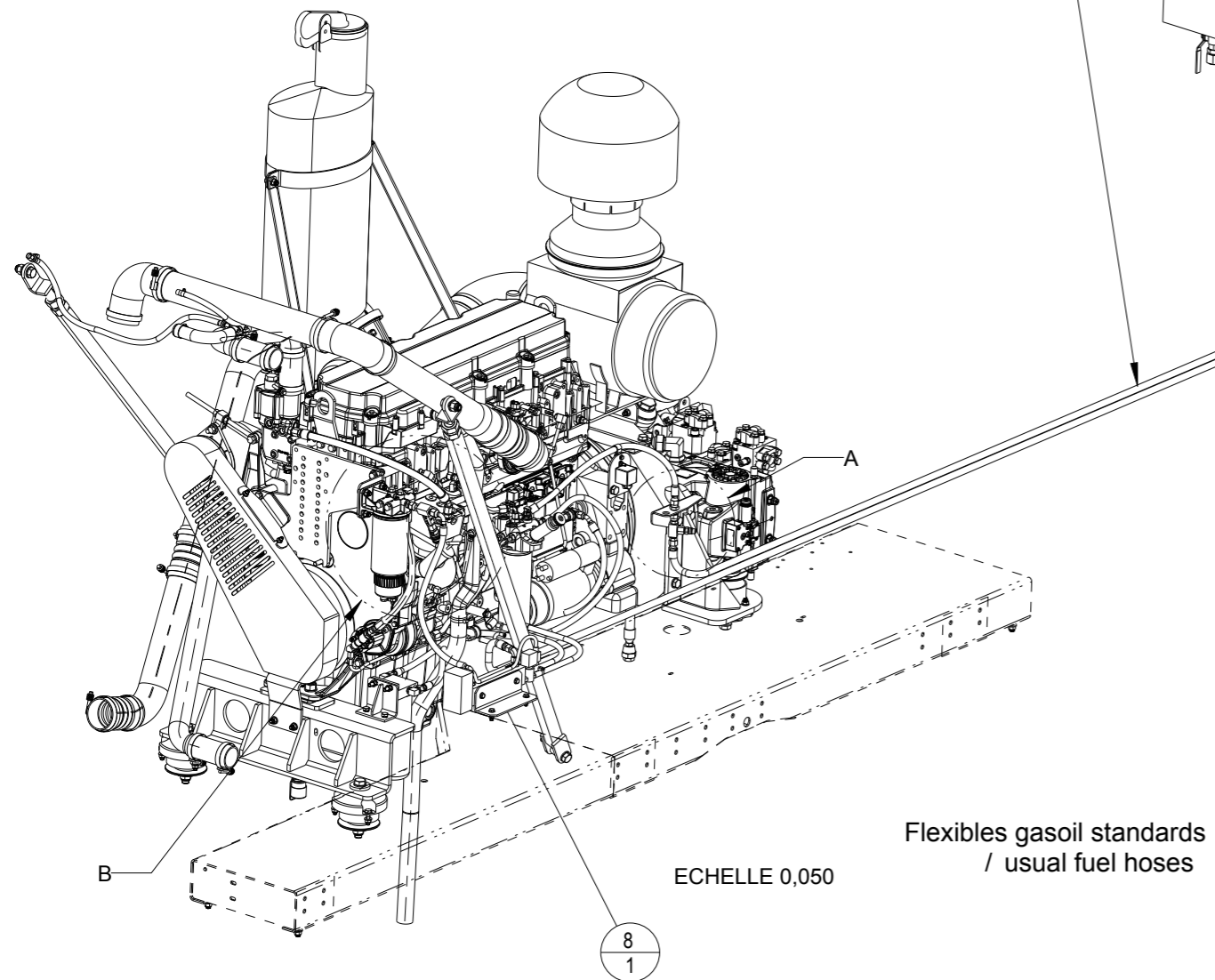
C

B

A

REP ITM	CODE SERCEL PART NUM.	DESIGNATION DESCRIPTION	REFERENCE / SPECIF. / LA PART NUMBER / SPECIF.	QTE QTY
	173190009	MANCHON CALORIFUGE	SERCEL	16M
1	271224131	ADAPTEUR, 2040-4-6S / FITTING	SERCEL	2
2	271291341	ADAPTEUR, FTXS12-3/8 / FITTING	SERCEL	2
3	271294341	FITTING 8 F6MXS / FITTING	SERCEL	2
4	274221331	ADAPTEUR EN TE M/F/F 3/8NPT /	SERCEL	2
5	276240001	COUPLEUR MALE 1/4 NPT / MALE COUPLING 1/4 NPT	SERCEL	1
6	276250001	COUPLEUR FEM. 1/4 NPT / FEM. COUPLING 1/4 NPT	GROMEL	1
7	292100004	CLAPET ANTI-RETOUR 1/4 BSP / CHECK VALVE	SERCEL	1
8	604752033	RECHAUFFEUR CIRCUIT G.O / FUEL HEATER	SERCEL	1

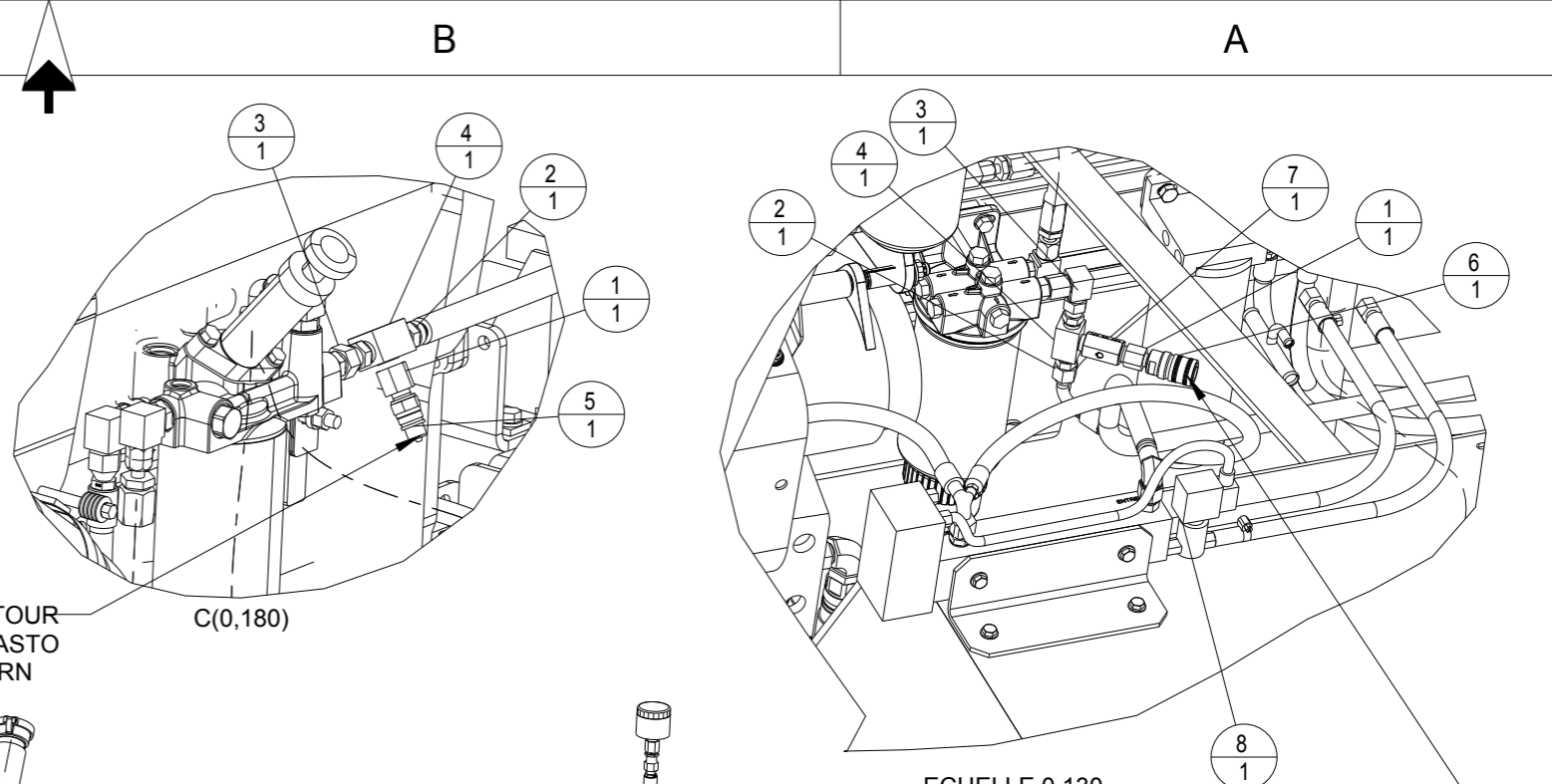
ISOLER LES FLEXIBLES
D'ALIMENTATION G.O. AVEC
DES MANCHONS
CALORIFUGES CODE 173190009
/INSULATE HOSES WITH
INSULATING SLEEVE 173190009



**CIRCUIT GASOIL POUR MOTEUR CAT. C13
/FUEL PIPING FOR CAT C13 ENGINE**

F							
E							
D							
C							
B							
A	CREATION	SOUM D.	Mar-07-17	BUTTIN P.	Mar-07-17		
REV D/T	NATURE DE LA MODIFICATION TYPE OF MODIFICATION	DESSINE/VERIFIE DRAWN/VERIFIED	DATE	VISA	APPROUVE APPROVED	DATE	VISA
MATIERE/MATERIAL:				COULEUR/COLOR:		MASSE/WEIGHT: 76725,689 T	
TRAITEMENT/TREATMENT:				VOLUME: m3		TOL.GEN /GEN.TOL. (Sauf specif):	
TITRE/TITLE N65-C13/C15 CIRCUIT GO WINTERIZE / WINT.FUEL PIPING				LE PLAN ORIGINAL SIGNE EST AU PLANEX		ETAT DE SURFACE/MACHINE FINISH: SUIVANT INSTRUCTION: S902000324	
SERCEL ETABLISSEMENT DE SAINT GAUDENS				NUMERO DE PLAN / DRAWING REFERENCE 604291033		Echel: 0,009 Scale CLQ: /REF CL : ART Folio: 1/2	
CODE OTAN : F2577				BP 69 - 31802 SAINT-GAUDENS CEDEX (FRANCE) Tel:(33)0561899000 Fax:(33)05 61899033			
S 904 00 0233/00 Ce document est la propriété de SERCEL St-GAUDENS, toute reproduction et diffusion sont interdites sans son autorisation							

REP ITM	CODE SERCEL PART NUM.	DESIGNATION DESCRIPTION	REFERENCE / SPECIF. / LA PART NUMBER / SPECIF.	QTE QTY
	173190009	MANCHON CALORIFUGE	SERCEL	16M
1	271224131	ADAPTEUR, 2040-4-6S / FITTING	SERCEL	2
2	271291341	ADAPTEUR, FTXS12-3/8 / FITTING	SERCEL	2
3	271294341	FITTING 8 F6MXS / FITTING	SERCEL	2
4	274221331	ADAPTEUR EN TE M/F/F 3/8NPT /	SERCEL	2
5	276240001	COUPLEUR MALE 1/4 NPT / MALE COUPLING 1/4 NPT	SERCEL	1
6	276250001	COUPLEUR FEM. 1/4 NPT / FEM. COUPLING 1/4 NPT	GROMEL	1
7	292100004	CLAPET ANTI-RETOUR 1/4 BSP / CHECK VALVE	SERCEL	1
8	604752033	RECHAUFFEUR CIRCUIT G.O. / FUEL HEATER	SERCEL	1



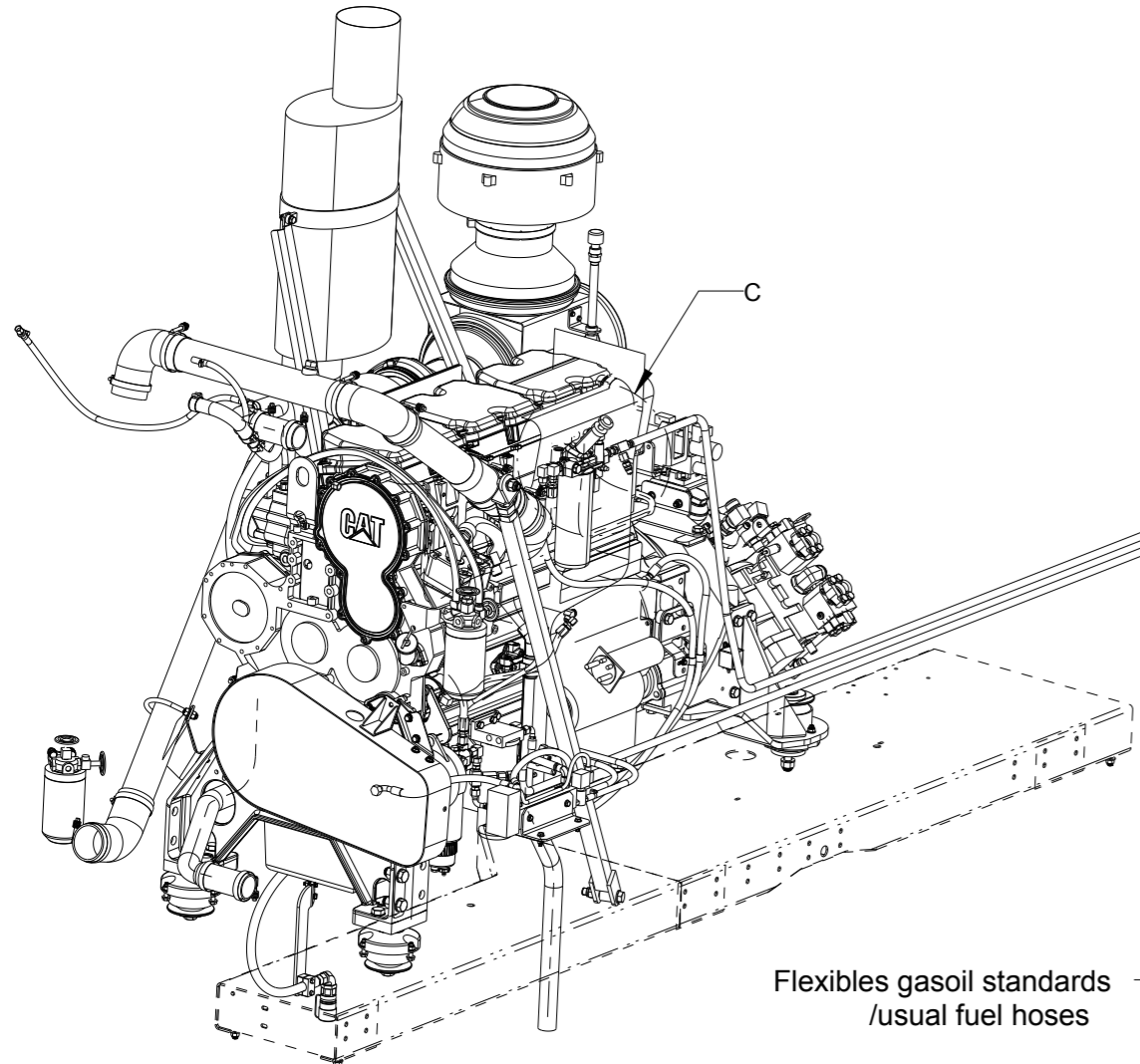
CIRCUIT RETOUR
G.O. WEBASTO
/WEBASTO FUEL RETURN

C(0,180)

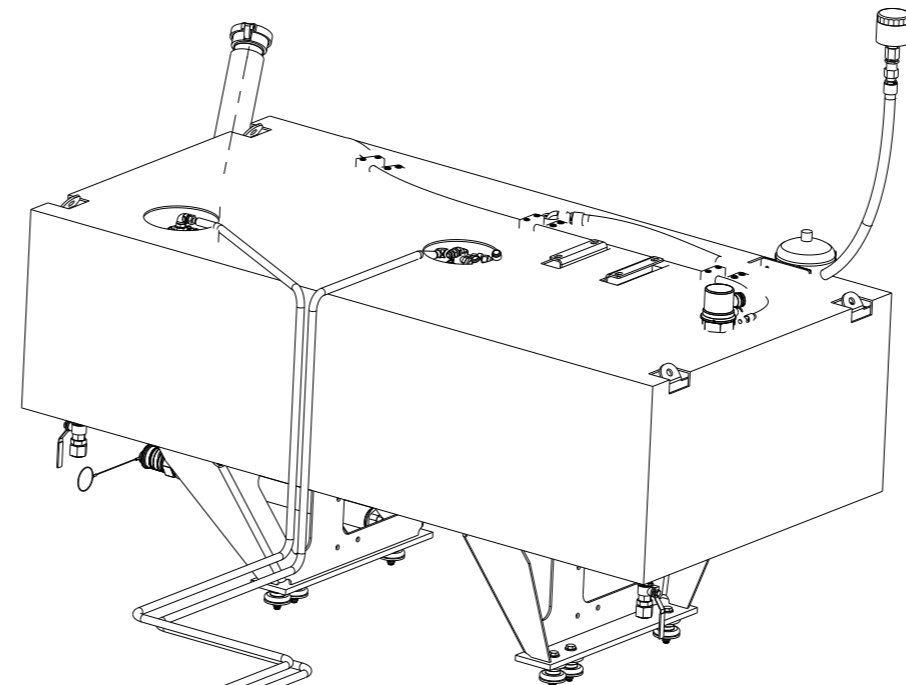
ECHELLE 0,130

CIRCUIT ALIMENTATION
G.O. WEBASTO
/WEBASTO FUEL SUPPLY

ISOLER LES FLEXIBLES
D'ALIMENTATION G.O. AVEC
DES MANCHONS
CALORIFUGES CODE 173190009
/INSULATE FUEL HOSES WITH
INSULATING SLEEVE 173190009



Flexibles gasoil standards
/usual fuel hoses



F							
E							
D							
C							
B							
A	CREATION	SOU M D	Mar-07-17	BUTTIN P.	Mar-07-17		
REV	D/T	NATURE DE LA MODIFICATION TYPE OF MODIFICATION	DESSINE/VERIFIE DRAWN/VERIFIED	DATE	VISA	APPOUVE APPROVED	DATE VISA
MATIERE/MATERIAL:				COULEUR/COLOR:		MASSE/WEIGHT: 35859,564 T	
TRAITEMENT/TREATMENT:				VOLUME: m3		TOL.GEN./GEN.TOL. (Sauf specif):	
TITRE/TITLE				LE PLAN ORIGINAL SIGNE EST AU PLANEX		ETAT DE SURFACE/MACHINE FINISH:	
N65-C13/C15				CIRCUIT GO WINTERIZE / WINT.FUEL PIPING		SUIVANT INSTRUCTION: S902000324	
SERCEL				CE PLAN EST LA PROPRIETE INALIENABLE DE		NUMERO DE PLAN / DRAWING REFERENCE	
SERCEL ETABLISSEMENT DE SAINT GAUDENS				604291033		Echel: 0,050 Scale	
BP 69 - 31802 SAINT-GAUDENS CEDEX (FRANCE) Tel:(33)0561899000 Fax:(33)05 61899033						CLQ: /REF CL : ART	
CODE OTAN : F2577						Folio: 2/2	
S 904 00 0233/00 Ce document est la propriété de SERCEL ST-GAUDENS, toute reproduction et diffusion sont interdites sans son autorisation							

D

C

B

A